

BLF871; BLF871S

UHF power LDMOS transistor

Rev. 04 — 19 November 2009

Product data sheet

1. Product profile

1.1 General description

A 100 W LDMOS RF power transistor for broadcast transmitter applications and industrial applications. The transistor can deliver 100 W broadband from HF to 1 GHz. The excellent ruggedness and broadband performance of this device makes it ideal for digital transmitter applications.

Table 1. Typical performance

RF performance at $V_{DS} = 40$ V in a common-source 860 MHz test circuit.

Mode of operation	f	P_L						PAR (dB)
		(W)	(W)	(W)	(dB)	(%)	(dBc)	
CW, class AB	860	100	-	-	21	60	-	-
2-tone, class AB	$f_1 = 860; f_2 = 860.1$	-	100	-	21	47	-35	-
DVB-T (8k OFDM)	858	-	-	24	22	33	-34 ^[1]	8.3 ^[2]

[1] Measured [dBc] with delta marker at 4.3 MHz from center frequency.

[2] PAR (of output signal) at 0.01 % probability on CCDF; PAR of input signal = 9.5 dB at 0.01 % probability on CCDF.



This device is sensitive to ElectroStatic Discharge (ESD). Therefore care should be taken during transport and handling.

1.2 Features

- 2-tone performance at 860 MHz, a drain-source voltage V_{DS} of 40 V and a quiescent drain current $I_{Dq} = 0.5$ A:
 - ◆ Peak envelope power load power = 100 W
 - ◆ Power gain = 21 dB
 - ◆ Drain efficiency = 47 %
 - ◆ Third order intermodulation distortion = -35 dBc
- DVB performance at 858 MHz, a drain-source voltage V_{DS} of 40 V and a quiescent drain current $I_{Dq} = 0.5$ A:
 - ◆ Average output power = 24 W
 - ◆ Power gain = 22 dB
 - ◆ Drain efficiency = 33 %
 - ◆ Third order intermodulation distortion = -34 dBc (4.3 MHz from center frequency)

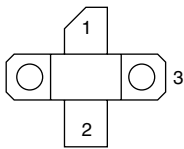
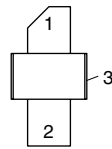
- Integrated ESD protection
- Excellent ruggedness
- High power gain
- High efficiency
- Excellent reliability
- Easy power control
- Compliant to Directive 2002/95/EC, regarding Restriction of Hazardous Substances (RoHS)

1.3 Applications

- Communication transmitter applications in the UHF band
- Industrial applications in the UHF band

2. Pinning information

Table 2. Pinning

Description		Graphic symbol
BLF871 (SOT467C)		
1	drain	
2	gate	
3	source	
BLF871S (SOT467B)		
1	drain	
2	gate	
3	source	

[1] Connected to flange.

3. Ordering information

Table 3. Ordering information

	Package		
	Name	Description	Version
BLF871	-	flanged LDMOST ceramic package; 2 mounting holes; 2 leads	SOT467C
BLF871S	-	earless LDMOST ceramic package; 2 leads	SOT467B

4. Limiting values

Table 4. Limiting values

In accordance with the Absolute Maximum Rating System (IEC 60134).

Symbol	Parameter	Conditions	Max	Unit
V_{DS}	drain-source voltage	-	89	V
V_{GS}	gate-source voltage	-0.5	+13	V
T_{stg}	storage temperature	-65	+150	°C
T_j	junction temperature	-	200	°C

5. Thermal characteristics

Table 5. Thermal characteristics

Parameter	Conditions	Unit
$R_{th(j-c)}$	$T_{case} = 80\text{ °C};$ $P_{L(AV)} = 50\text{ W}$	[1] 0.95 K/W

[1] $R_{th(j-c)}$ is measured under RF conditions.

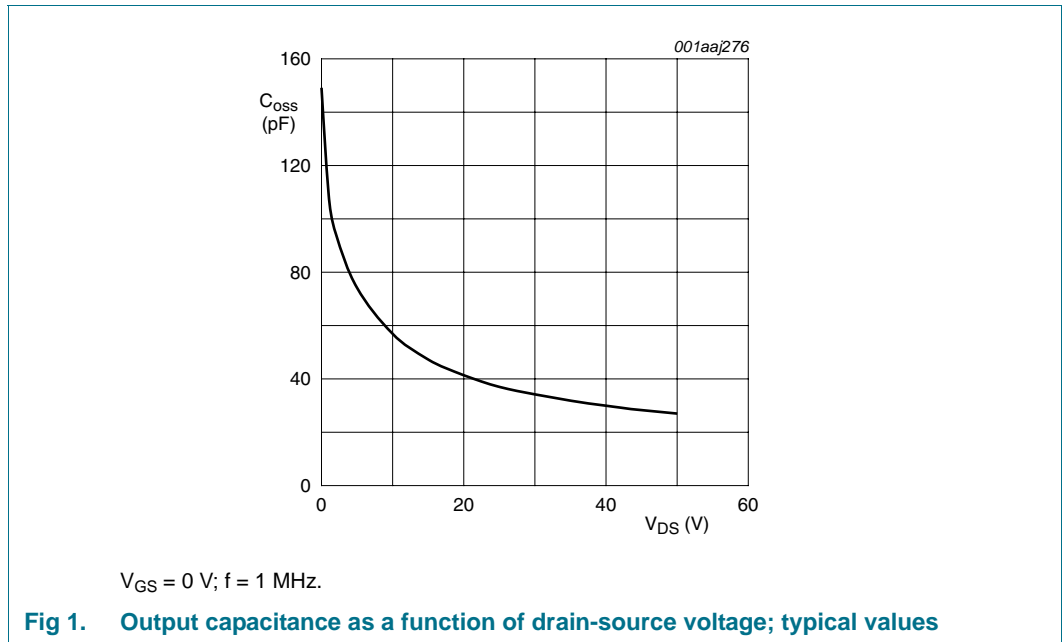
6. Characteristics

Table 6. Characteristics

$T_j = 25\text{ °C}$ unless otherwise specified.

Symbol	Parameter	Conditions	Typ	Max	Unit
$V_{(BR)DSS}$	drain-source breakdown voltage	$V_{GS} = 0\text{ V}; I_D = 1.12\text{ mA}$ [1]	89	-	105.5 V
$V_{GS(th)}$	gate-source threshold voltage	$V_{DS} = 10\text{ V}; I_D = 112\text{ mA}$ [1]	1.4	-	2.4 V
I_{DSS}	drain leakage current	$V_{GS} = 0\text{ V}; V_{DS} = 40\text{ V}$	-	-	1.4 μA
I_{DSX}	drain cut-off current	$V_{GS} = V_{GS(th)} + 3.75\text{ V};$ $V_{DS} = 10\text{ V}$	16.7	20	A
I_{GSS}	gate leakage current	$V_{GS} = 10\text{ V}; V_{DS} = 0\text{ V}$	-	-	140 nA
$R_{DS(on)}$	drain-source on-state resistance	$V_{GS} = V_{GS(th)} + 3.75\text{ V};$ $I_D = 3.7\text{ A}$ [1]	-	210	$\text{m}\Omega$
C_{iss}	input capacitance	$V_{GS} = 0\text{ V}; V_{DS} = 40\text{ V};$ $f = 1\text{ MHz}$	-	95	pF
C_{oss}	output capacitance	$V_{GS} = 0\text{ V}; V_{DS} = 40\text{ V};$ $f = 1\text{ MHz}$	-	30	pF
C_{rss}	reverse transfer capacitance	$V_{GS} = 0\text{ V}; V_{DS} = 40\text{ V};$ $f = 1\text{ MHz}$	-	1	pF

[1] I_D is the drain current.



7. Application information

Table 7. RF performance in a common-source narrowband 860 MHz test circuit
 $T_h = 25 \text{ }^\circ\text{C}$ unless otherwise specified.

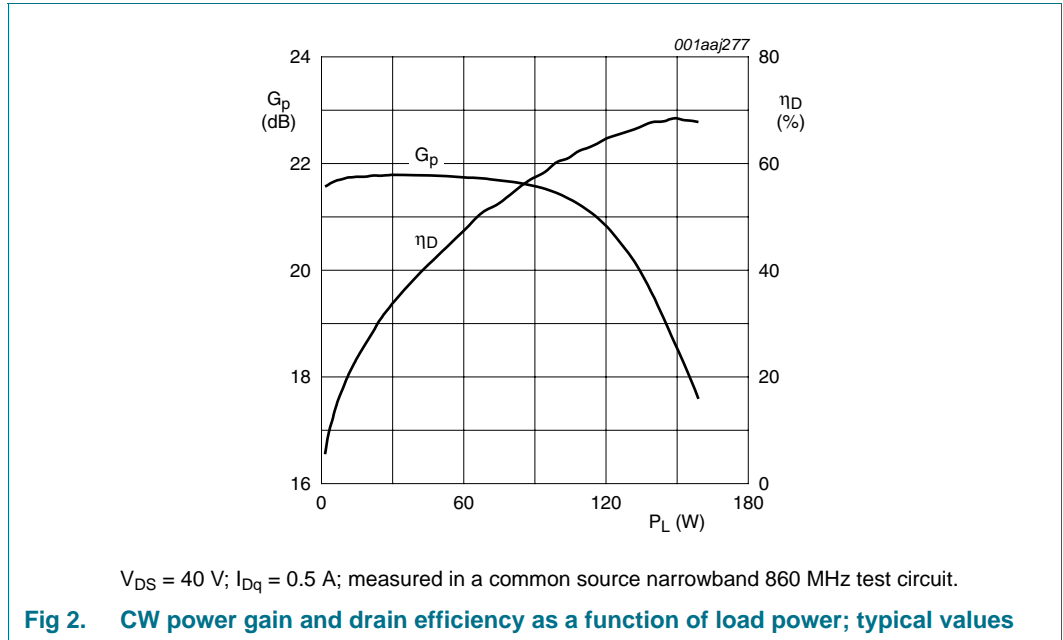
Mode of operation	f	V_{DS}							PAR (dB)
		(V)	(A)	(W)	(W)	(dB)	(%)	(dBc)	
2-tone, class AB	$f_1 = 860;$ $f_2 = 860.1$	40	0.5	100	-	> 19	> 44	< -30	-
DVB-T (8k OFDM)	858	40	0.5	-	24	> 19	> 30	< -31 [1]	> 7.8 [2]

[1] Measured [dBc] with delta marker at 4.3 MHz from center frequency.

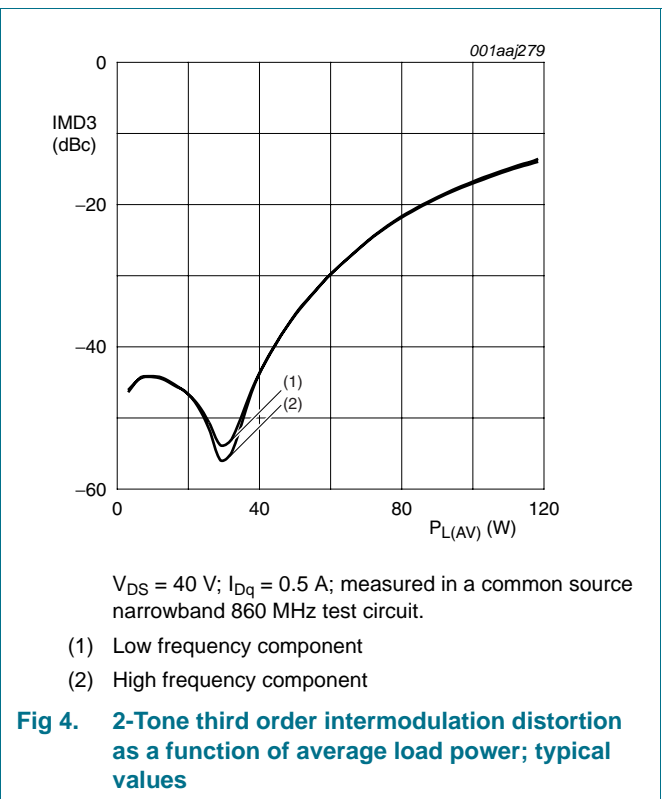
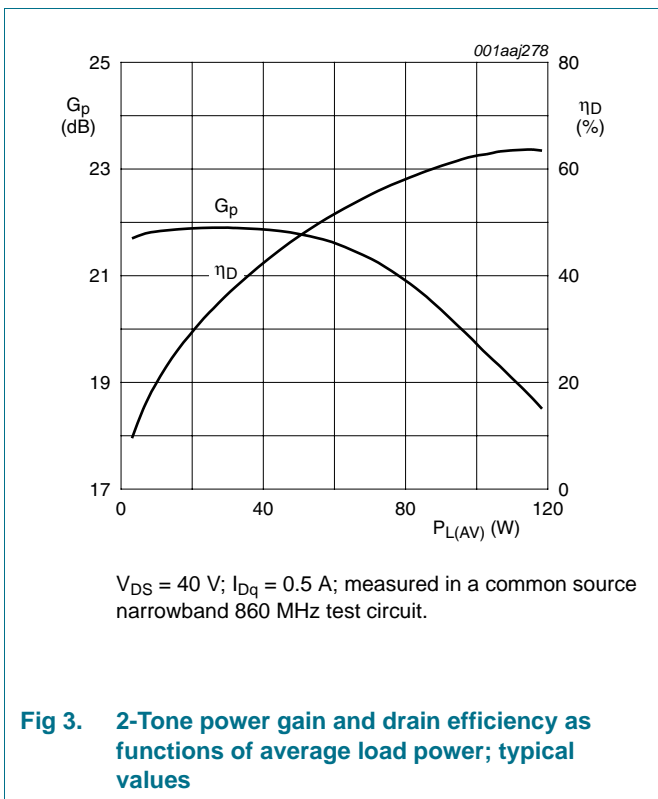
[2] PAR (of output signal) at 0.01 % probability on CCDF; PAR of input signal = 9.5 dB at 0.01 % probability on CCDF.

7.1 Narrowband RF figures

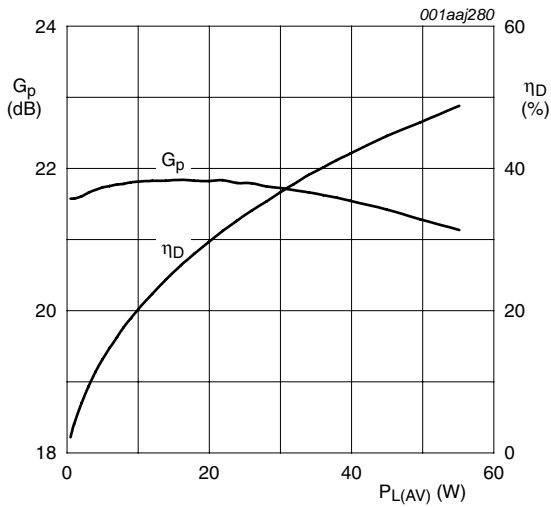
7.1.1 CW



7.1.2 2-Tone

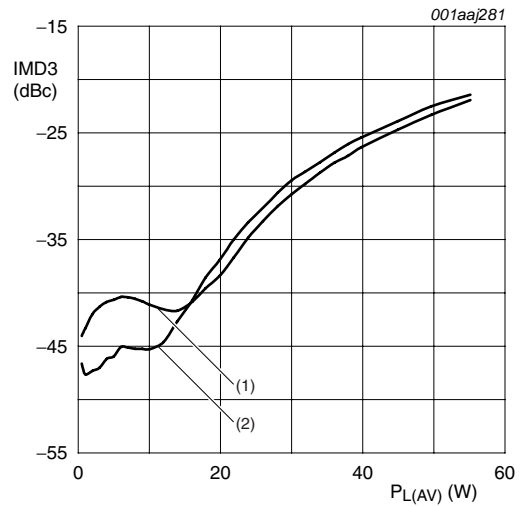


7.1.3 DVB-T



$V_{DS} = 40\text{ V}$; $I_{Dq} = 0.5\text{ A}$; measured in a common source narrowband 860 MHz test circuit.

Fig 5. DVB-T power gain and drain efficiency as functions of average load power; typical values



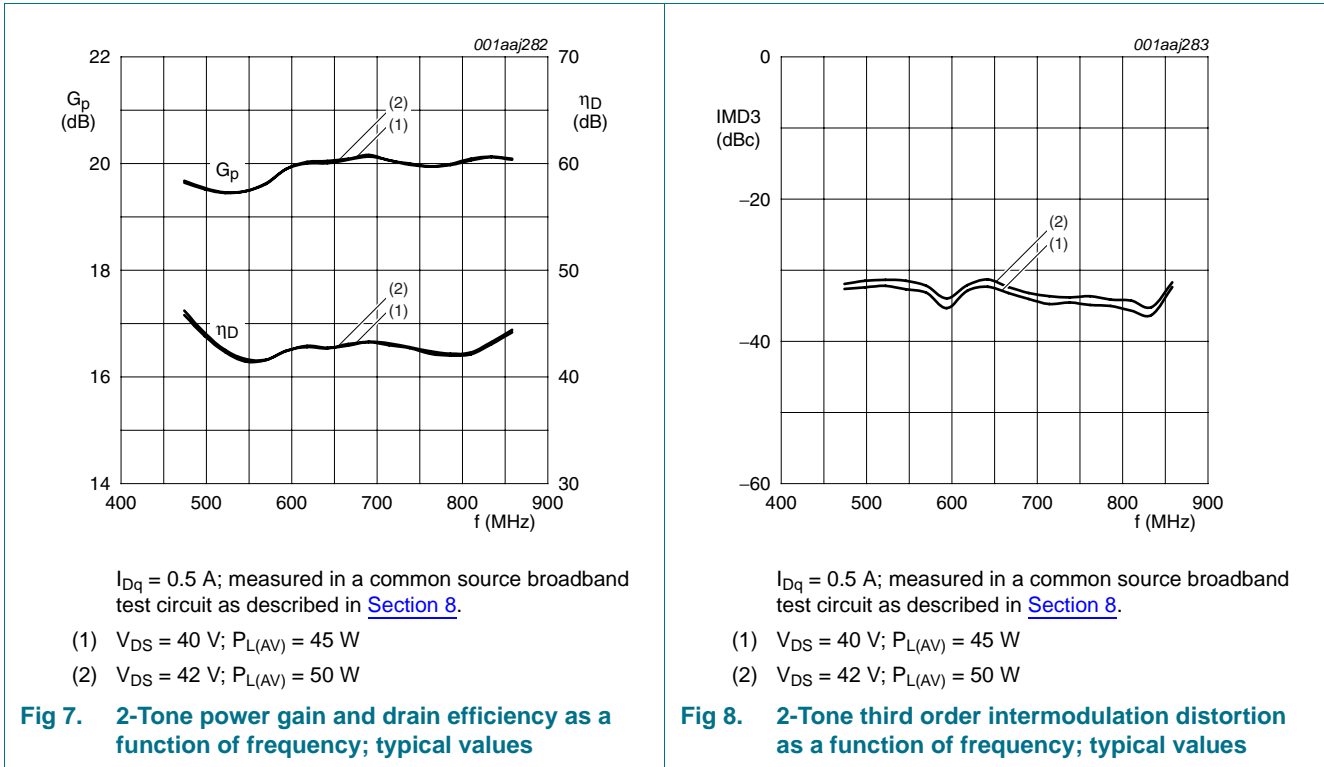
$V_{DS} = 40\text{ V}$; $I_{Dq} = 0.5\text{ A}$; measured in a common source narrowband 860 MHz test circuit.

- (1) Low frequency component
- (2) High frequency component

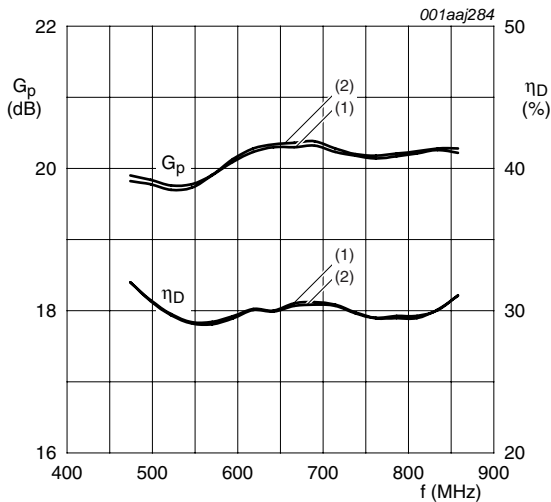
Fig 6. DVB-T third order intermodulation distortion as a function of average load power; typical values

7.2 Broadband RF figures

7.2.1 2-Tone

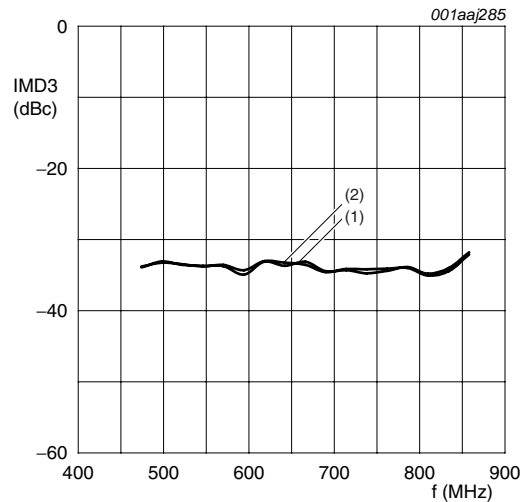


7.2.2 DVB-T



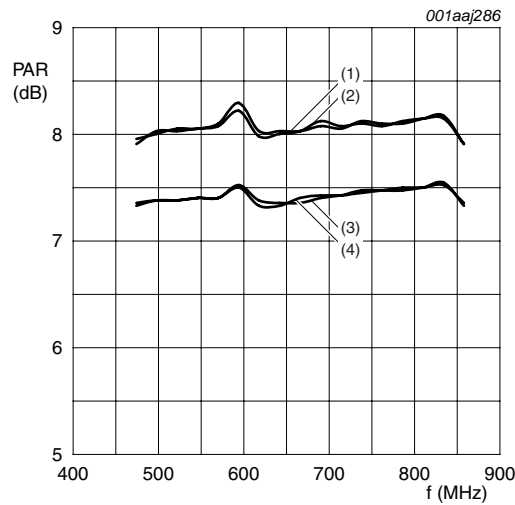
$I_{Dq} = 0.5 \text{ A}$; measured in a common source broadband test circuit as described in [Section 8](#).
 (1) $V_{DS} = 40 \text{ V}$; $P_{L(AV)} = 22 \text{ W}$
 (2) $V_{DS} = 42 \text{ V}$; $P_{L(AV)} = 24 \text{ W}$

Fig 9. DVB-T power gain and drain efficiency as functions of frequency; typical values



$I_{Dq} = 0.5 \text{ A}$; measured in a common source broadband test circuit as described in [Section 8](#).
 (1) $V_{DS} = 40 \text{ V}$; $P_{L(AV)} = 22 \text{ W}$
 (2) $V_{DS} = 42 \text{ V}$; $P_{L(AV)} = 24 \text{ W}$

Fig 10. DVB-T third order intermodulation distortion as a function of frequency; typical values



$I_{Dq} = 0.5 \text{ A}$; measured in a common source broadband test circuit as described in [Section 8](#).
 PAR of input signal = 9.5 dB at 0.01 % probability on CCDF.
 (1) PAR at 0.01 % probability on the CCDF; $V_{DS} = 40 \text{ V}$; $P_{L(AV)} = 22 \text{ W}$
 (2) PAR at 0.01 % probability on the CCDF; $V_{DS} = 42 \text{ V}$; $P_{L(AV)} = 24 \text{ W}$
 (3) PAR at 0.1 % probability on the CCDF; $V_{DS} = 40 \text{ V}$; $P_{L(AV)} = 22 \text{ W}$
 (4) PAR at 0.1 % probability on the CCDF; $V_{DS} = 42 \text{ V}$; $P_{L(AV)} = 24 \text{ W}$

Fig 11. DVB-T PAR at 0.1 % and at 0.01 % probability on the CCDF as function of frequency; typical values

7.3 Ruggedness in class-AB operation

The BLF871 and BLF871S are capable of withstanding a load mismatch corresponding to $V_{SWR} = 10 : 1$ through all phases under the following conditions: $V_{DS} = 42\text{ V}$; $f = 860\text{ MHz}$ at rated power.

7.4 Impedance information

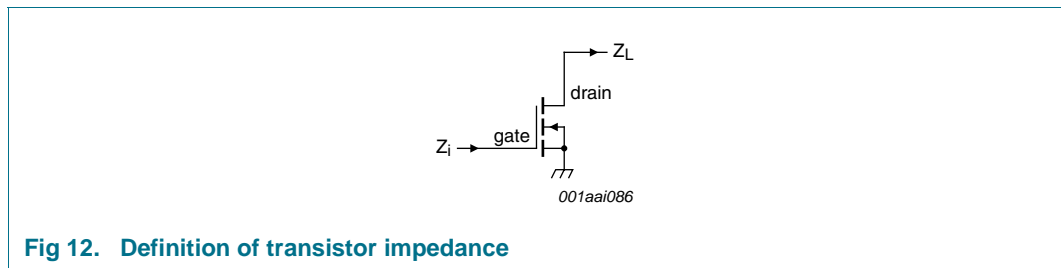


Fig 12. Definition of transistor impedance

Table 8. Typical impedance

Simulated Z_i and Z_L device impedance; impedance info at $V_{DS} = 42\text{ V}$.

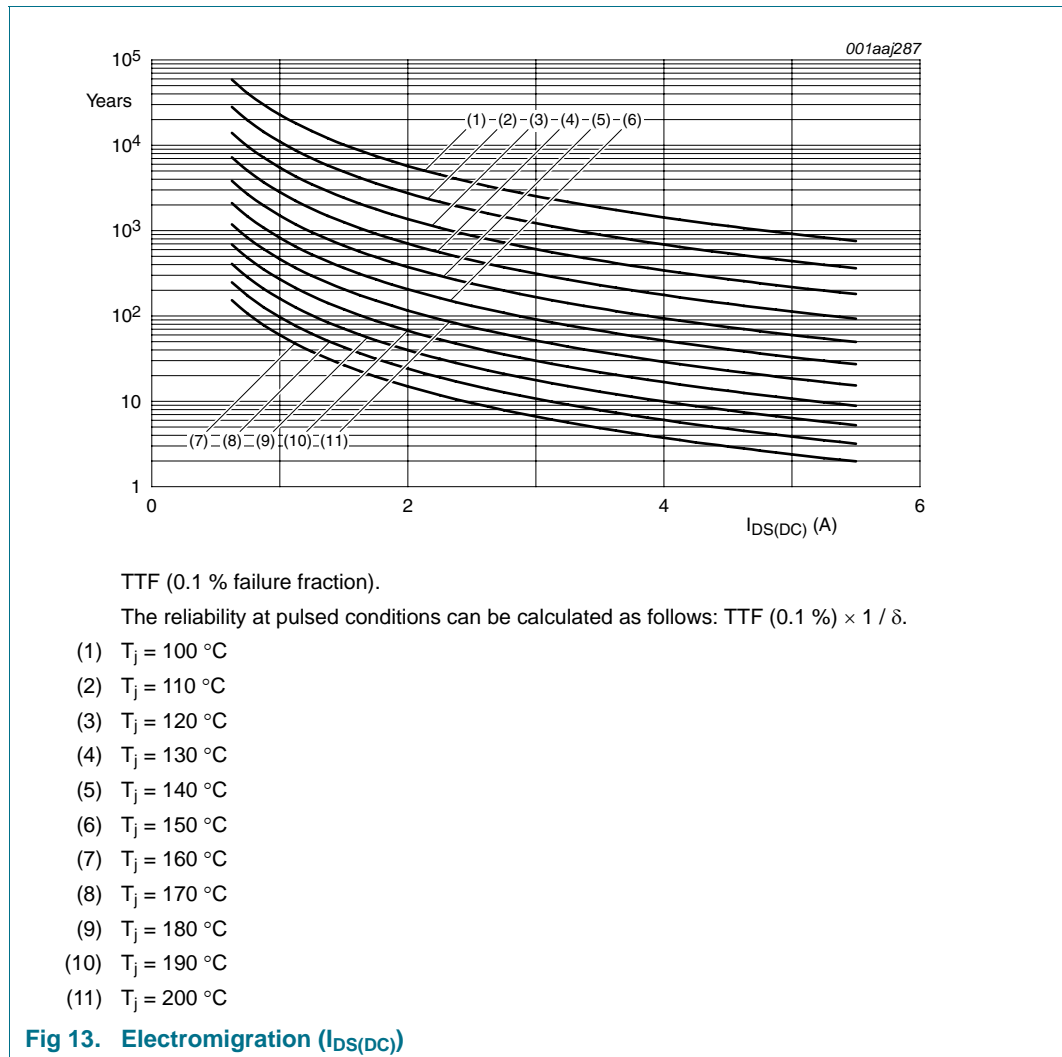
f (MHz)	Z_i (Ω)	Z_L (Ω)
300	$0.977 - j3.327$	$5.506 + j1.774$
325	$0.977 - j2.983$	$5.366 + j1.858$
350	$0.978 - j2.681$	$5.223 + j1.930$
375	$0.979 - j2.414$	$5.078 + j1.990$
400	$0.979 - j2.174$	$4.932 + j2.040$
425	$0.980 - j1.956$	$4.786 + j2.079$
450	$0.981 - j1.758$	$4.640 + j2.108$
475	$0.982 - j1.576$	$4.495 + j2.128$
500	$0.982 - j1.407$	$4.352 + j2.138$
525	$0.983 - j1.250$	$4.212 + j2.140$
550	$0.984 - j1.103$	$4.074 + j2.135$
575	$0.985 - j0.964$	$3.940 + j2.122$
600	$0.986 - j0.834$	$3.809 + j2.102$
625	$0.987 - j0.709$	$3.682 + j2.077$
650	$0.988 - j0.591$	$3.558 + j2.045$
675	$0.990 - j0.478$	$3.438 + j2.009$
700	$0.991 - j0.370$	$3.323 + j1.968$
725	$0.992 - j0.266$	$3.211 + j1.923$
750	$0.993 - j0.165$	$3.103 + j1.874$
775	$0.995 - j0.068$	$3.000 + j1.822$
800	$0.996 + j0.026$	$2.900 + j1.766$
825	$0.997 + j0.117$	$2.804 + j1.708$
850	$0.999 + j0.206$	$2.711 + j1.648$
875	$1.000 + j0.292$	$2.623 + j1.586$
900	$1.002 + j0.376$	$2.538 + j1.521$

Table 8. Typical impedance ...continued

Simulated Z_i and Z_L device impedance; impedance info at $V_{DS} = 42\text{ V}$.

f (MHz)	Z_i (Ω)	Z_L (Ω)
925	1.004 + j0.459	2.456 + j2.455
950	1.005 + j0.540	2.378 + j2.388
975	1.007 + j0.619	2.303 + j2.320
1000	1.009 + j0.696	2.230 + j2.250

7.5 Reliability



8. Test information

Table 9. List of components

For test circuit, see [Figure 14](#), [Figure 15](#) and [Figure 16](#).

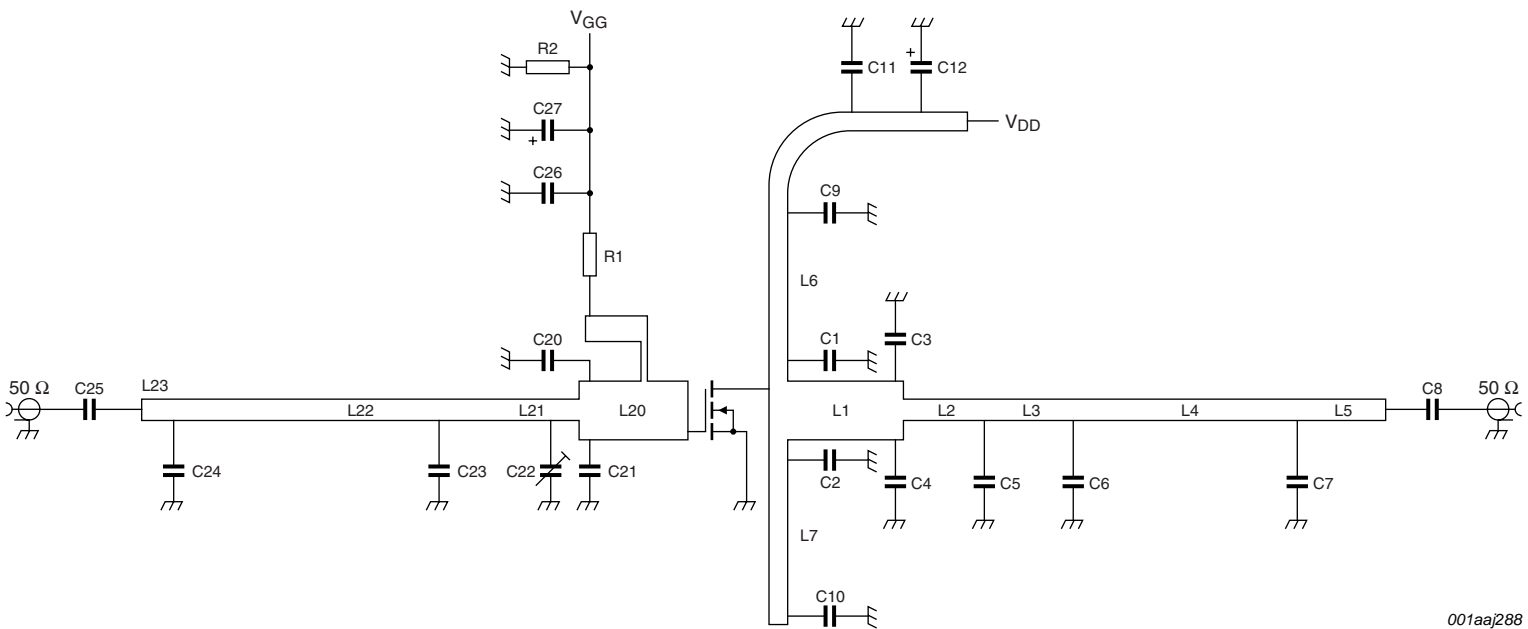
Component	Description	Value	
C1, C2	multilayer ceramic chip capacitor	5.1 pF	[1]
C3, C4	multilayer ceramic chip capacitor	10 pF	[2]
C5	multilayer ceramic chip capacitor	6.8 pF	[1]
C6	multilayer ceramic chip capacitor	4.7 pF	[1]
C7	multilayer ceramic chip capacitor	2.7 pF	[1]
C8, C9, C10, C25, C26	multilayer ceramic chip capacitor	100 pF	[1]
C11, C27	multilayer ceramic chip capacitor	10 μ F	TDK C570X7R1H106KT000N or capacitor of same quality.
C12	electrolytic capacitor	470 μ F; 63 V	
C20	multilayer ceramic chip capacitor	10 pF	[3]
C21	multilayer ceramic chip capacitor	8.2 pF	[3]
C22	trimmer	0.6 pF to 4.5 pF	Tekelec
C23	multilayer ceramic chip capacitor	6.8 pF	[3]
C24	multilayer ceramic chip capacitor	3.9 pF	[3]
L1	stripline	-	[4] (W \times L) 7 mm \times 15 mm
L2	stripline	-	[4] (W \times L) 2.4 mm \times 9 mm
L3	stripline	-	[4] (W \times L) 2.4 mm \times 10 mm
L4	stripline	-	[4] (W \times L) 2.4 mm \times 25 mm
L5	stripline	-	[4] (W \times L) 2.4 mm \times 10 mm
L6	stripline	-	[4] (W \times L) 2.0 mm \times 20 mm
L7	stripline	-	[4] (W \times L) 2.0 mm \times 21 mm
L20	stripline	-	[4] (W \times L) 7 mm \times 12 mm
L21	stripline	-	[4] (W \times L) 2.4 mm \times 13 mm
L22	stripline	-	[4] (W \times L) 2.4 mm \times 31 mm
L23	stripline	-	[4] (W \times L) 2.4 mm \times 5 mm
R1	resistor	100 Ω	
R2	resistor	10 k Ω	

[1] American technical ceramics type 100B or capacitor of same quality.

[2] American technical ceramics type 180R or capacitor of same quality.

[3] American technical ceramics type 100A or capacitor of same quality.

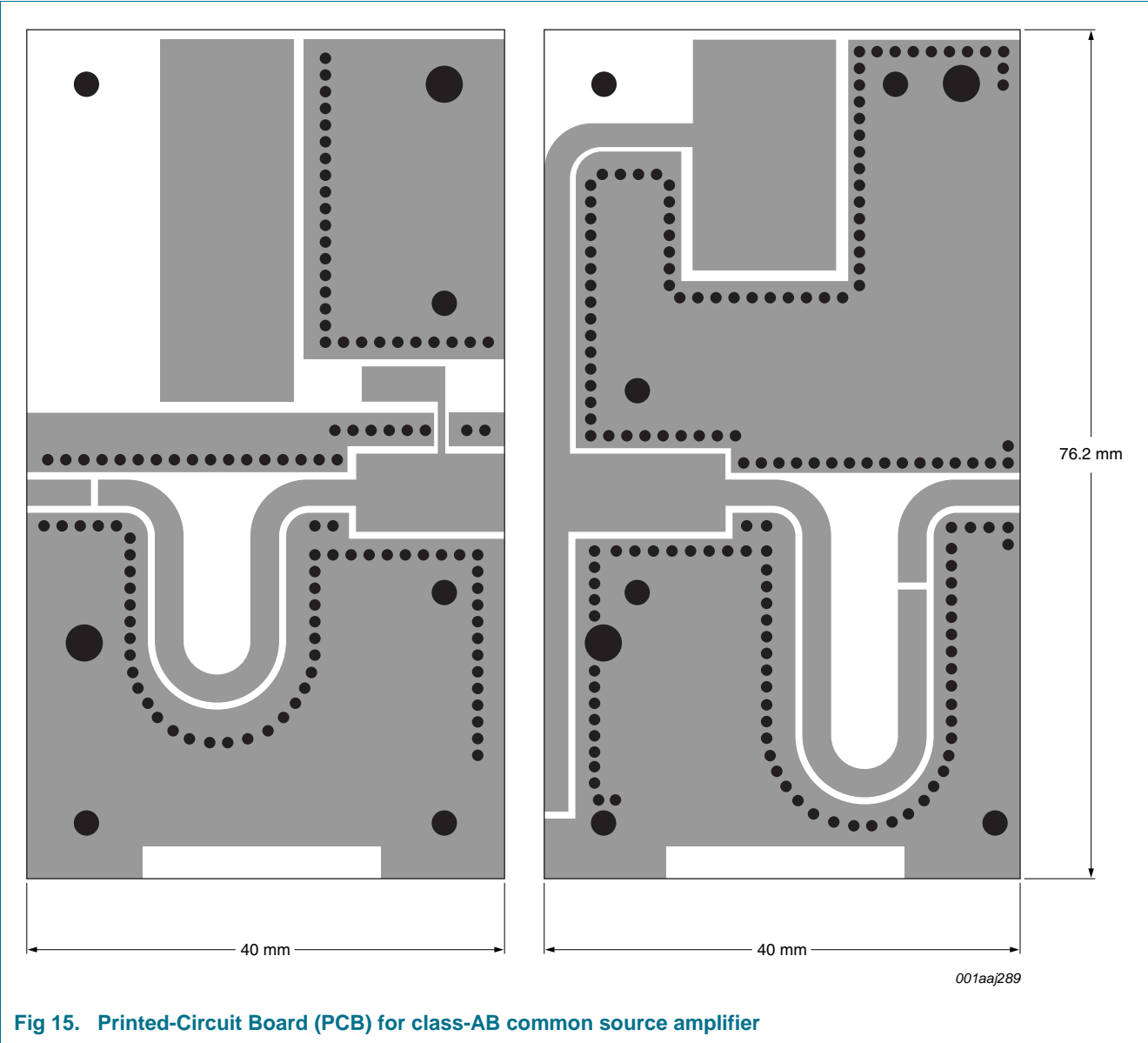
[4] Printed-Circuit Board (PCB): Rogers 5880; $\epsilon_r = 2.2$ F/m; height = 0.79 mm; Cu (top/bottom metallization); thickness copper plating = 35 μ m.

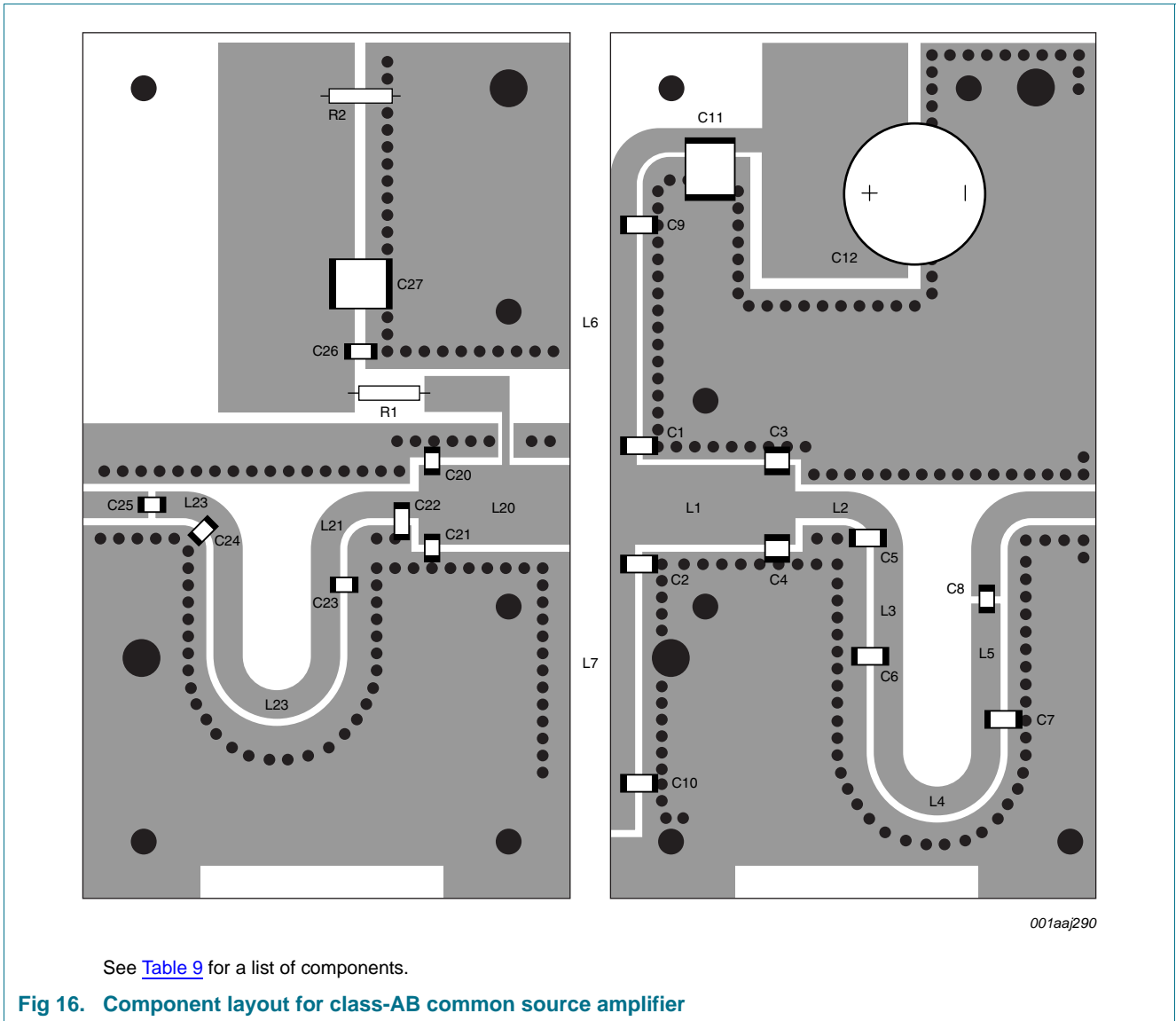


001aa|288

See [Table 9](#) for a list of components.

Fig 14. Class-AB common-source broadband amplifier





9. Package outline

Flanged LDMOST ceramic package; 2 mounting holes; 2 leads

SOT467C

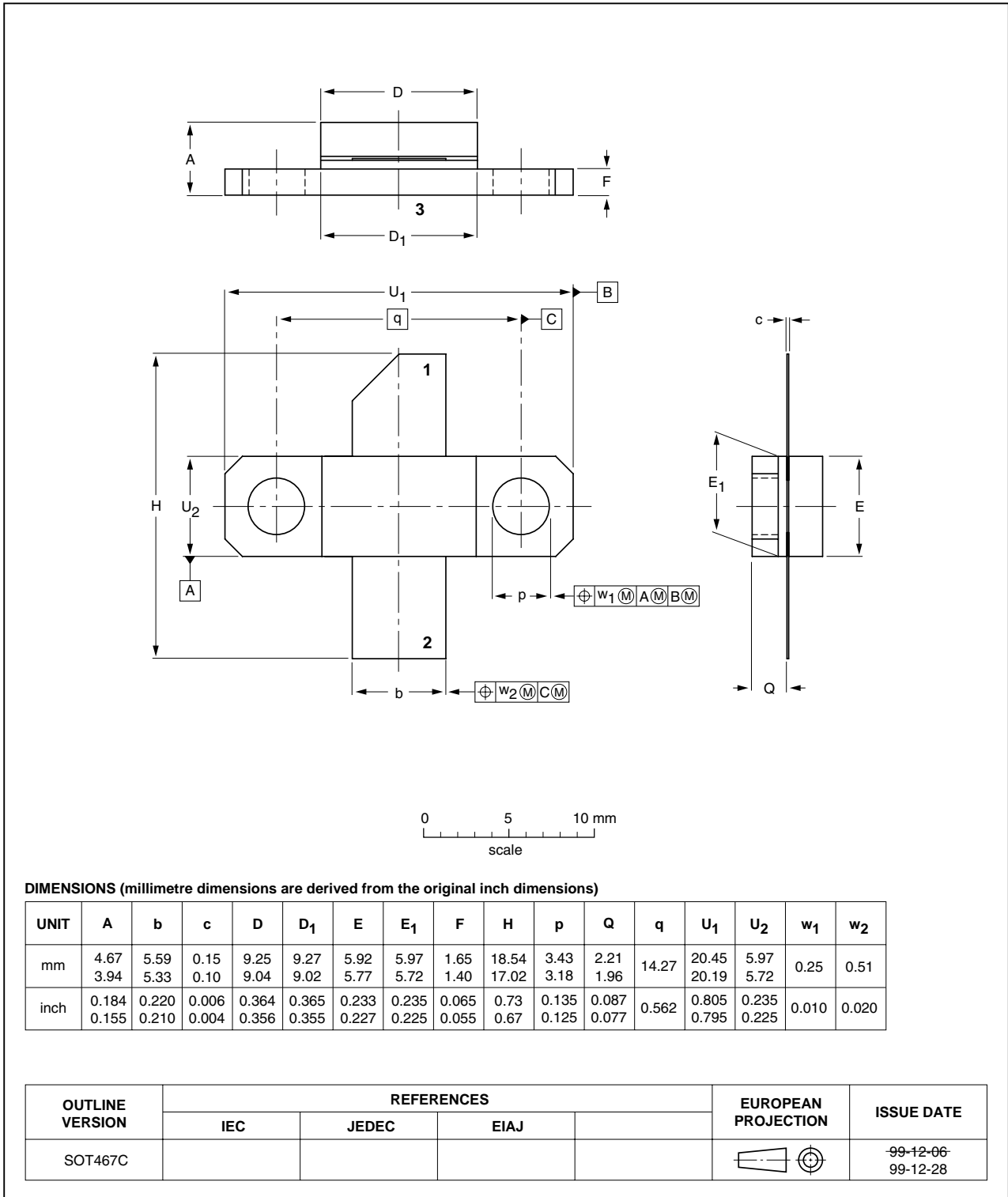


Fig 17. Package outline SOT467C

Earless LDMOST ceramic package; 2 leads

SOT467B

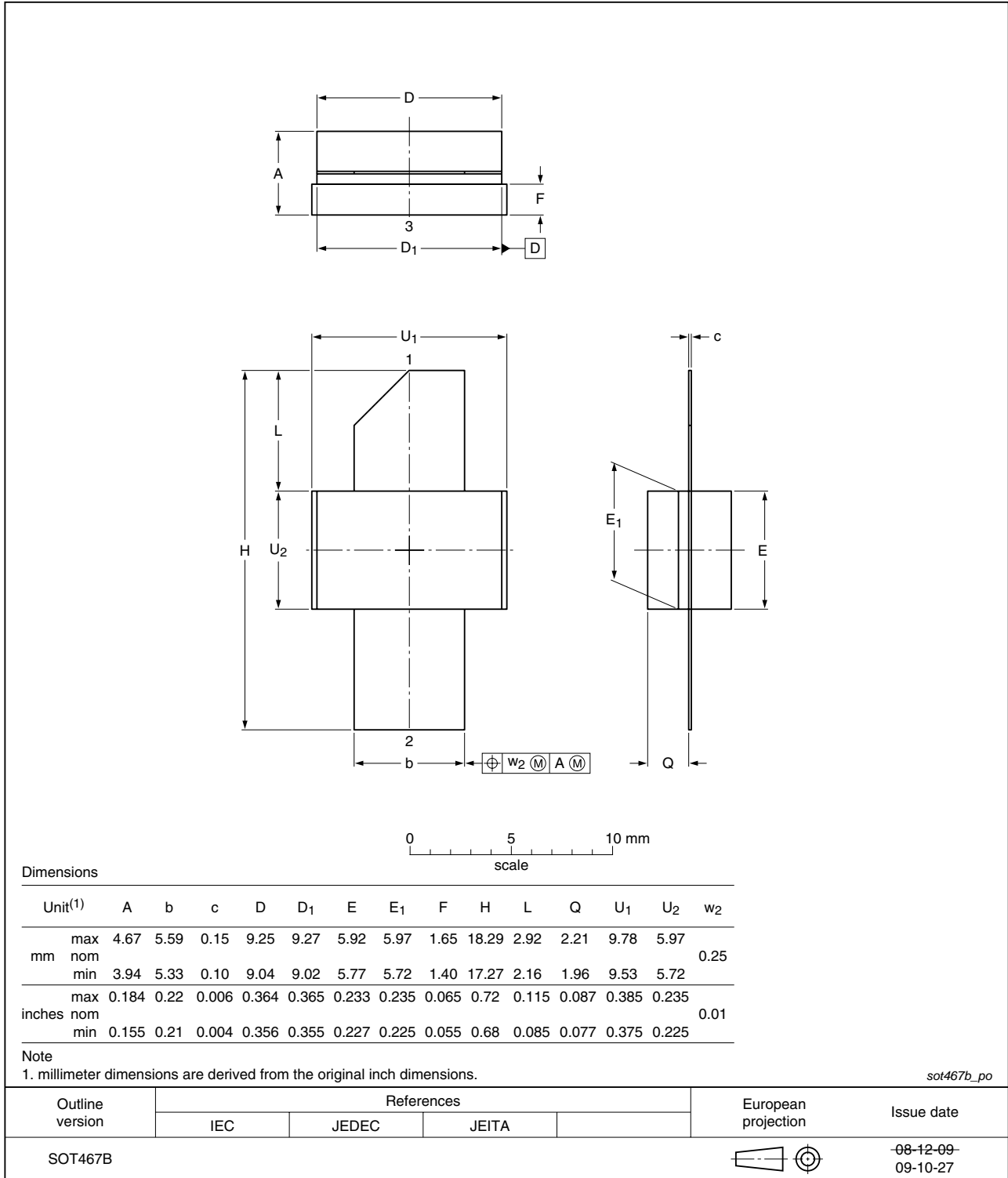


Fig 18. Package outline SOT467B

10. Abbreviations

Table 10. Abbreviations

	Description
CW	Continuous Wave
CCDF	Complementary Cumulative Distribution Function
DVB	Digital Video Broadcast
DVB-T	Digital Video Broadcast - Terrestrial
ESD	ElectroStatic Discharge
HF	High Frequency
IMD3	Third order InterModulation Distortion
LDMOS	Laterally Diffused Metal-Oxide Semiconductor
LDMOST	Laterally Diffused Metal-Oxide Semiconductor Transistor
OFDM	Orthogonal Frequency Division Multiplexing
PAR	Peak-to-Average power Ratio
PEP	Peak Envelope Power
RF	Radio Frequency
TTF	Time To Failure
UHF	Ultra High Frequency
VSWR	Voltage Standing-Wave Ratio

11. Revision history

Table 11. Revision history

	Release date	Data sheet status	Change notice	Supersedes
BLF871_BLF871S_4	20091119	Product data sheet	-	BLF871_3
Modifications:	<ul style="list-style-type: none"> This document now describes both the BLF871 and the BLF871S. 			
BLF871_3	20090921	Product data sheet	-	BLF871_2
BLF871_2	20090305	Preliminary data sheet	-	BLF871_1
BLF871_1	20081218	Objective data sheet	-	-

12. Legal information

12.1 Data sheet status

Objective [short] data sheet	Development	This document contains data from the objective specification for product development.
Preliminary [short] data sheet	Qualification	This document contains data from the preliminary specification.
Product [short] data sheet	Production	This document contains the product specification.

- [1] Please consult the most recently issued document before initiating or completing a design.
- [2] The term 'short data sheet' is explained in section "Definitions".
- [3] The product status of device(s) described in this document may have changed since this document was published and may differ in case of multiple devices. The latest product status information is available on the Internet at URL <http://www.nxp.com>.

12.2 Definitions

Draft — The document is a draft version only. The content is still under internal review and subject to formal approval, which may result in modifications or additions. NXP Semiconductors does not give any representations or warranties as to the accuracy or completeness of information included herein and shall have no liability for the consequences of use of such information.

Short data sheet — A short data sheet is an extract from a full data sheet with the same product type number(s) and title. A short data sheet is intended for quick reference only and should not be relied upon to contain detailed and full information. For detailed and full information see the relevant full data sheet, which is available on request via the local NXP Semiconductors sales office. In case of any inconsistency or conflict with the short data sheet, the full data sheet shall prevail.

12.3 Disclaimers

General — Information in this document is believed to be accurate and reliable. However, NXP Semiconductors does not give any representations or warranties, expressed or implied, as to the accuracy or completeness of such information and shall have no liability for the consequences of use of such information.

Right to make changes — NXP Semiconductors reserves the right to make changes to information published in this document, including without limitation specifications and product descriptions, at any time and without notice. This document supersedes and replaces all information supplied prior to the publication hereof.

Suitability for use — NXP Semiconductors products are not designed, authorized or warranted to be suitable for use in medical, military, aircraft, space or life support equipment, nor in applications where failure or malfunction of an NXP Semiconductors product can reasonably be expected to result in personal injury, death or severe property or environmental

damage. NXP Semiconductors accepts no liability for inclusion and/or use of NXP Semiconductors products in such equipment or applications and therefore such inclusion and/or use is at the customer's own risk.

Applications — Applications that are described herein for any of these products are for illustrative purposes only. NXP Semiconductors makes no representation or warranty that such applications will be suitable for the specified use without further testing or modification.

Limiting values — Stress above one or more limiting values (as defined in the Absolute Maximum Ratings System of IEC 60134) may cause permanent damage to the device. Limiting values are stress ratings only and operation of the device at these or any other conditions above those given in the Characteristics sections of this document is not implied. Exposure to limiting values for extended periods may affect device reliability.

Terms and conditions of sale — NXP Semiconductors products are sold subject to the general terms and conditions of commercial sale, as published at <http://www.nxp.com/profile/terms>, including those pertaining to warranty, intellectual property rights infringement and limitation of liability, unless explicitly otherwise agreed to in writing by NXP Semiconductors. In case of any inconsistency or conflict between information in this document and such terms and conditions, the latter will prevail.

No offer to sell or license — Nothing in this document may be interpreted or construed as an offer to sell products that is open for acceptance or the grant, conveyance or implication of any license under any copyrights, patents or other industrial or intellectual property rights.

Export control — This document as well as the item(s) described herein may be subject to export control regulations. Export might require a prior authorization from national authorities.

12.4 Trademarks

Notice: All referenced brands, product names, service names and trademarks are the property of their respective owners.

13. Contact information

For more information, please visit: <http://www.nxp.com>

For sales office addresses, please send an email to: salesaddresses@nxp.com

14. Contents

1 Product profile 1

1.1 General description 1

1.2 Features 1

1.3 Applications 2

2 Pinning information 2

3 Ordering information 2

4 Limiting values 3

5 Thermal characteristics 3

6 Characteristics 3

7 Application information 4

7.1 Narrowband RF figures 5

7.1.1 CW 5

7.1.2 2-Tone 5

7.1.3 DVB-T 6

7.2 Broadband RF figures 7

7.2.1 2-Tone 7

7.2.2 DVB-T 8

7.3 Ruggedness in class-AB operation 9

7.4 Impedance information 9

7.5 Reliability 10

8 Test information 11

9 Package outline 15

10 Abbreviations 17

11 Revision history 17

12 Legal information 18

12.1 Data sheet status 18

12.2 Definitions 18

12.3 Disclaimers 18

12.4 Trademarks 18

13 Contact information 18

14 Contents 19

Please be aware that important notices concerning this document and the product(s) described herein, have been included in section 'Legal information'.



© NXP B.V. 2009.

All rights reserved.

For more information, please visit: <http://www.nxp.com>

For sales office addresses, please send an email to: salesaddresses@nxp.com

Date of release: 19 November 2009

Document identifier: BLF871_BLF871S_4