

BLM6G22-30; BLM6G22-30G

W-CDMA 2100 MHz to 2200 MHz power MMIC

Rev. 03 — 21 November 2008

Preliminary data sheet

1. Product profile

1.1 General description

30 W LDMOS 2-stage power MMIC for base station applications at frequencies from 2100 MHz to 2200 MHz. Available in gull wing for surface mount (SOT822-1) or flat lead (SOT834-1).

Table 1. Typical performance
Typical RF performance at $T_h = 25^\circ\text{C}$.

Mode of operation	f (MHz)	V_{DS} (V)	$P_{L(AV)}$ (W)	G_p (dB)	η_D (%)	IMD3 (dBc)	ACPR (dBc)
2-carrier W-CDMA	2110 to 2170	28	2	29.5	9	-48 ^[1]	-50 ^[1]

[1] Test signal: 3GPP; test model 1; 64 DPCH; PAR = 7 dB at 0.01 % probability on CCDF per carrier; carrier spacing 10 MHz.

CAUTION



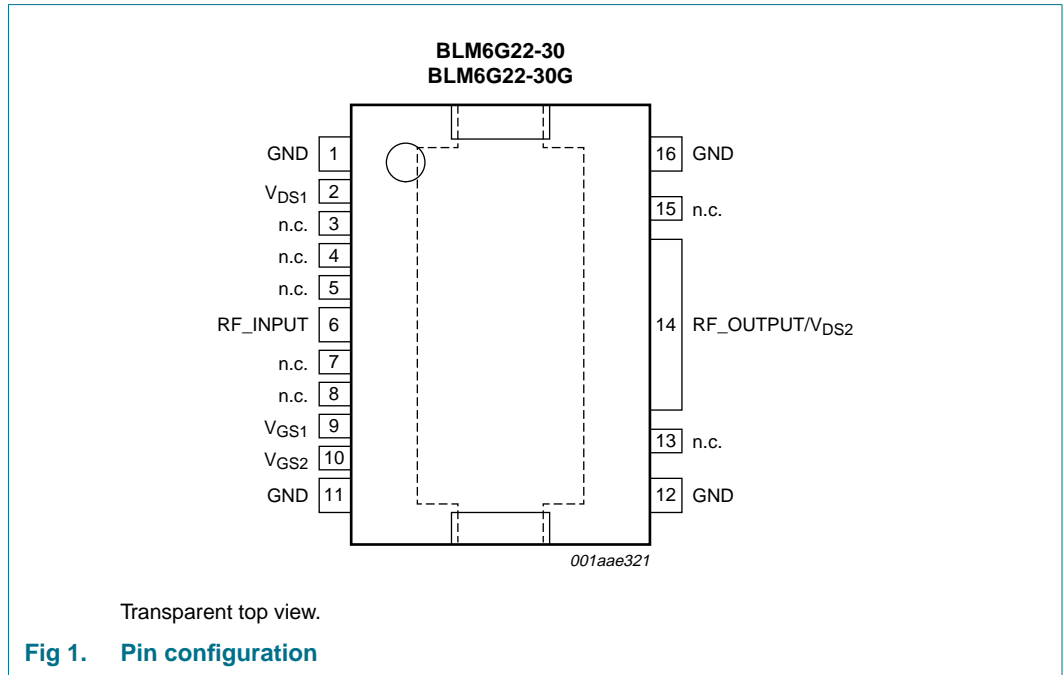
This device is sensitive to ElectroStatic Discharge (ESD). Therefore care should be taken during transport and handling.

1.2 Features

- Typical 2-carrier W-CDMA performance at a frequency of 2110 MHz:
 - ◆ Average output power = 2 W
 - ◆ Power gain = 30 dB (typ)
 - ◆ Efficiency = 9 %
 - ◆ IMD3 = -48 dBc
 - ◆ ACPR = -50 dBc
- Integrated temperature compensated bias
- Excellent thermal stability
- Biasing of individual stages is externally accessible
- Integrated ESD protection
- Small component size, very suitable for PA size reduction
- On-chip matching (input matched to 50 Ohm, output partially matched)
- High power gain
- Designed for broadband operation (2100 MHz to 2200 MHz)
- Compliant to Directive 2002/95/EC, regarding Restriction of Hazardous Substances (RoHS)

2. Pinning information

2.1 Pinning



2.2 Pin description

Table 2. Pin description

Symbol	Pin	Description
GND	1, 11, 12, 16	ground
V_{DS1}	2	first stage drain-source voltage
n.c.	3, 4, 5, 7, 8, 13, 15	not connected
RF_INPUT	6	RF input
V_{GS1}	9	first stage gate-source voltage
V_{GS2}	10	second stage gate-source voltage
RF_OUT/ V_{DS2}	14	RF output or second stage drain-source voltage
RF_GND	flange	RF ground

3. Ordering information

Table 3. Ordering information

Type number	Package		
	Name	Description	Version
BLM6G22-30	HSOP16F	plastic, heatsink small outline package; 16 leads (flat)	SOT834-1
BLM6G22-30G	HSOP16	plastic, heatsink small outline package; 16 leads	SOT822-1

4. Block diagram

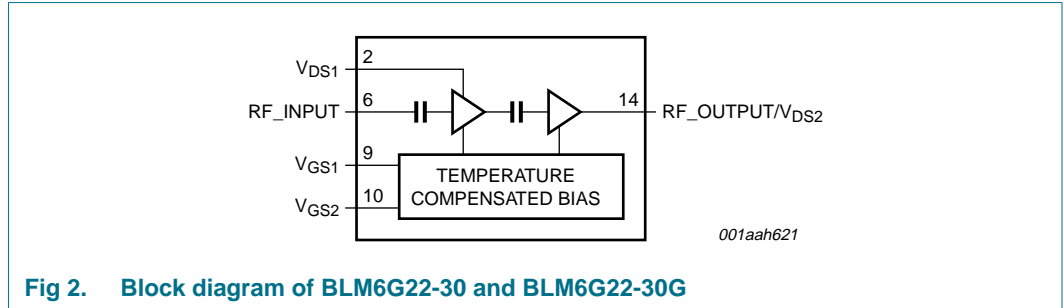


Fig 2. Block diagram of BLM6G22-30 and BLM6G22-30G

5. Limiting values

Table 4. Limiting values

In accordance with the Absolute Maximum Rating System (IEC 60134).

Symbol	Parameter	Conditions	Min	Max	Unit
V_{DS}	drain-source voltage		-	65	V
V_{GS}	gate-source voltage		0.5	+13	V
I_{D1}	first stage drain current		-	3	A
I_{D2}	second stage drain current		-	9	A
T_{stg}	storage temperature		-65	+150	°C
T_j	junction temperature		-	200	°C

6. Thermal characteristics

Table 5. Thermal characteristics

Symbol	Parameter	Conditions	Value	Unit
$R_{th(j-c)1}$	first stage thermal resistance from junction to case	$T_{case} = 25\text{ °C}$; $P_L = 2\text{ W}$; 2-carrier W-CDMA	[1] 3.9	K/W
$R_{th(j-c)2}$	second stage thermal resistance from junction to case	$T_{case} = 25\text{ °C}$; $P_L = 2\text{ W}$; 2-carrier W-CDMA	[1] 2.1	K/W

[1] Thermal resistance is determined under specific RF operating conditions.

7. Characteristics

Table 6. Characteristics

Mode of operation: 2-carrier W-CDMA; PAR 7 dB at 0.01 % probability on CCDF; 3GPP test model 1; 1-64 PDPCH; $f_1 = 2112.5$ MHz; $f_2 = 2122.5$ MHz; $f_3 = 2157.5$ MHz; $f_4 = 2167.5$ MHz; $V_{DS} = 28$ V; $I_{Dq1} = 270$ mA; $I_{Dq2} = 280$ mA; $T_h = 25$ °C unless otherwise specified; in a production test circuit as described in [Section 9 "Test information"](#).

Symbol	Parameter	Conditions	Min	Typ	Max	Unit
G_p	power gain	$P_{L(AV)} = 2$ W	27.5	30	32.5	dB
RL_{in}	input return loss	$P_{L(AV)} = 2$ W	10	14	-	dB
η_D	drain efficiency	$P_{L(AV)} = 2$ W	7.5	9	-	%
IMD3	third order intermodulation distortion	$P_{L(AV)} = 2$ W	-	-48	-44.5	dBc
ACPR	adjacent channel power ratio	$P_{L(AV)} = 2$ W	-	-50	-47	dBc

8. Application information

8.1 Ruggedness

The BLM6G22-30 and BLM6G22-30G are capable of withstanding a load mismatch corresponding to VSWR = 5 : 1 through all phases under the following conditions: $V_{DS} = 28$ V; $I_{Dq1} = 270$ mA; $I_{Dq2} = 280$ mA; $P_L = 2$ W; 2-carrier W-CDMA.

8.2 Impedance information

Table 7. Typical impedance

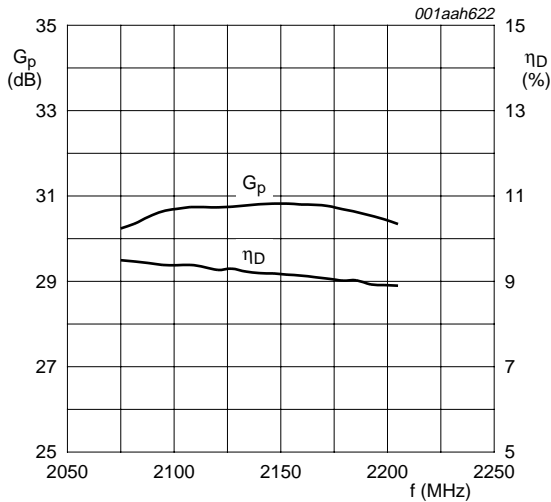
f MHz	Z_i ^[1] Ω	Z_L ^[2] Ω
2075	40.9 + j22.8	18.0 – j5.5
2085	41.2 + j23.2	17.8 – j5.6
2095	41.6 + j23.3	17.7 – j5.7
2105	41.9 + j23.3	17.7 – j5.9
2115	42.1 + j23.3	17.6 – j6.0
2125	42.2 + j23.2	17.4 – j6.0
2135	42.4 + j23.1	17.3 – j6.1
2145	42.3 + j22.9	17.2 – j6.1
2155	42.5 + j22.8	17.0 – j6.2
2165	42.6 + j22.8	16.8 – j6.3
2175	42.7 + j22.8	16.6 – j6.4
2185	43.0 + j23.0	16.4 – j6.6
2195	43.6 + j23.1	16.3 – j6.9
2205	44.2 + j23.3	16.1 – j7.2

[1] Device input impedance as measured from gate to ground.

[2] Test circuit impedance as measured from drain to ground.

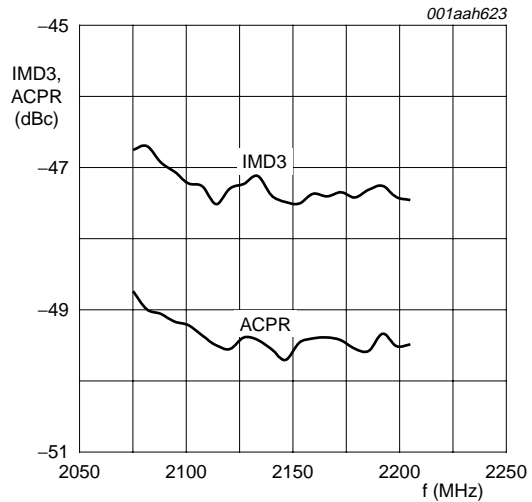
8.3 Performance curves

Performance curves are measured in a BLM6G22-30G application circuit.



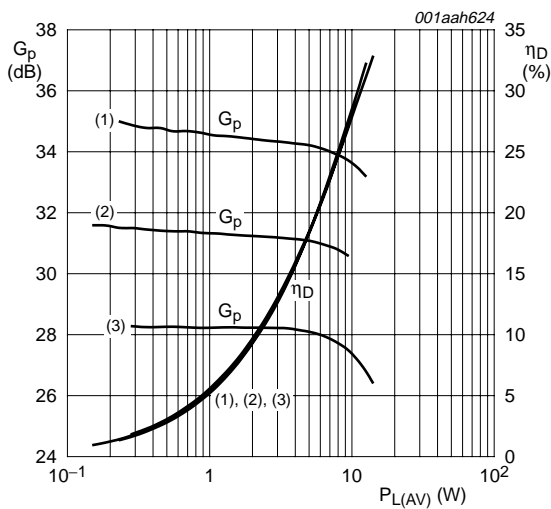
$T_{case} = 25\text{ }^\circ\text{C}$; $V_{DS} = 28\text{ V}$; $P_{L(AV)} = 2\text{ W}$; $I_{DQ1} = 270\text{ mA}$; $I_{DQ2} = 280\text{ mA}$; carrier spacing = 10 MHz.

Fig 3. 2-carrier W-CDMA power gain and drain efficiency as functions of frequency; typical values



$T_{case} = 25\text{ }^\circ\text{C}$; $V_{DS} = 28\text{ V}$; $P_{L(AV)} = 2\text{ W}$; $I_{DQ1} = 270\text{ mA}$; $I_{DQ2} = 280\text{ mA}$; carrier spacing = 10 MHz.

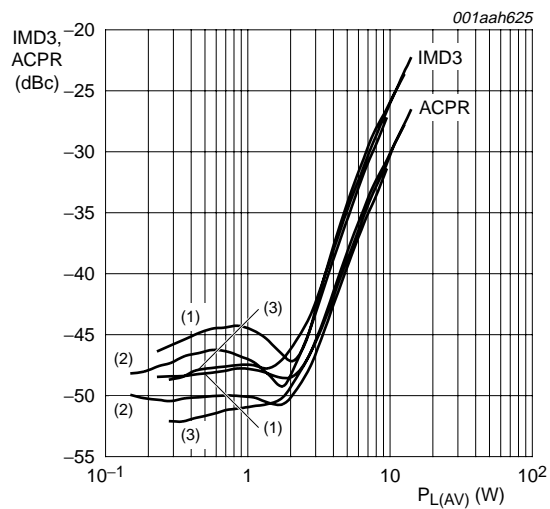
Fig 4. 2-carrier W-CDMA adjacent power channel ratio and third order intermodulation distortion as functions of frequency; typical values



$V_{DS} = 28\text{ V}$; $I_{DQ1} = 270\text{ mA}$; $I_{DQ2} = 280\text{ mA}$; carrier spacing = 10 MHz.

- (1) $T_{case} = -30\text{ }^\circ\text{C}$
- (2) $T_{case} = 25\text{ }^\circ\text{C}$
- (3) $T_{case} = 85\text{ }^\circ\text{C}$

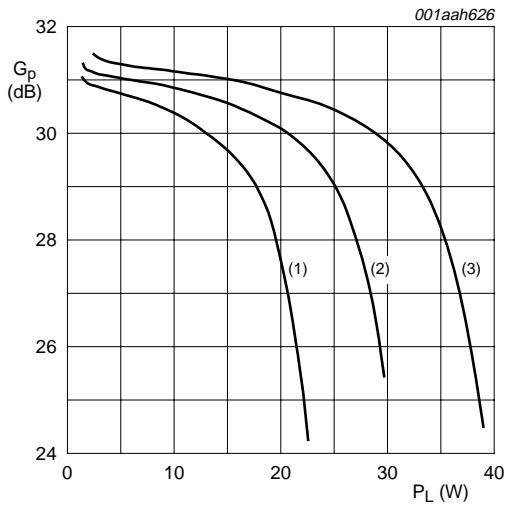
Fig 5. 2-carrier W-CDMA power gain and drain efficiency as functions of average output power and temperature; typical values



$V_{DS} = 28\text{ V}$; $I_{DQ1} = 270\text{ mA}$; $I_{DQ2} = 280\text{ mA}$; carrier spacing = 10 MHz.

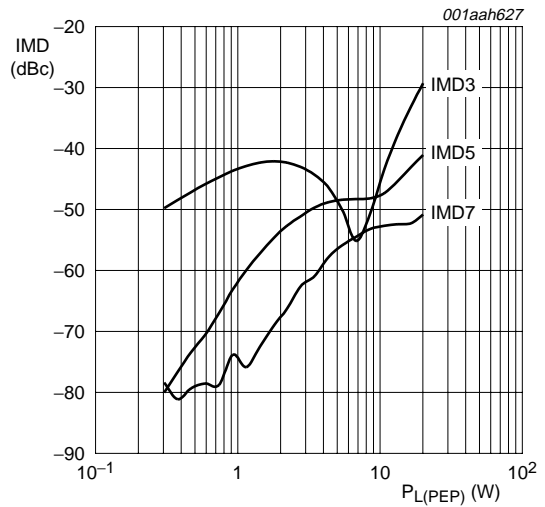
- (1) $T_{case} = -30\text{ }^\circ\text{C}$
- (2) $T_{case} = 25\text{ }^\circ\text{C}$
- (3) $T_{case} = 85\text{ }^\circ\text{C}$

Fig 6. 2-carrier W-CDMA adjacent power channel ratio and third order intermodulation distortion as functions of average output power and temperature; typical values



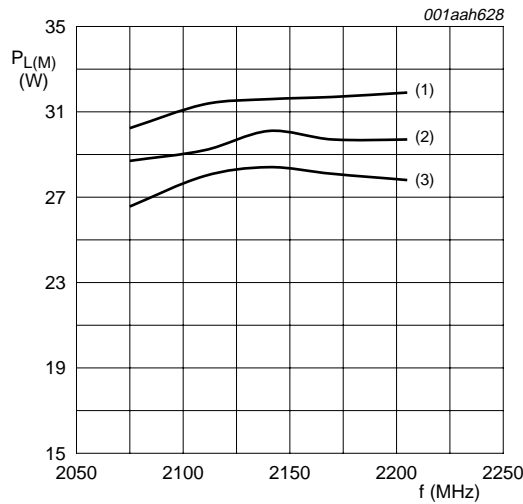
$f = 2140 \text{ MHz}; I_{DQ1} = 270 \text{ mA}; I_{DQ2} = 280 \text{ mA}.$
 (1) $V_{DS} = 24 \text{ V}$
 (2) $V_{DS} = 28 \text{ V}$
 (3) $V_{DS} = 32 \text{ V}$

Fig 7. One-tone CW power gain as function of output power and drain-source voltage; typical value



$I_{DQ1} = 270 \text{ mA}; I_{DQ2} = 280 \text{ mA}; f_1 = 2140 \text{ MHz}; f_2 = 2140.1 \text{ MHz}.$

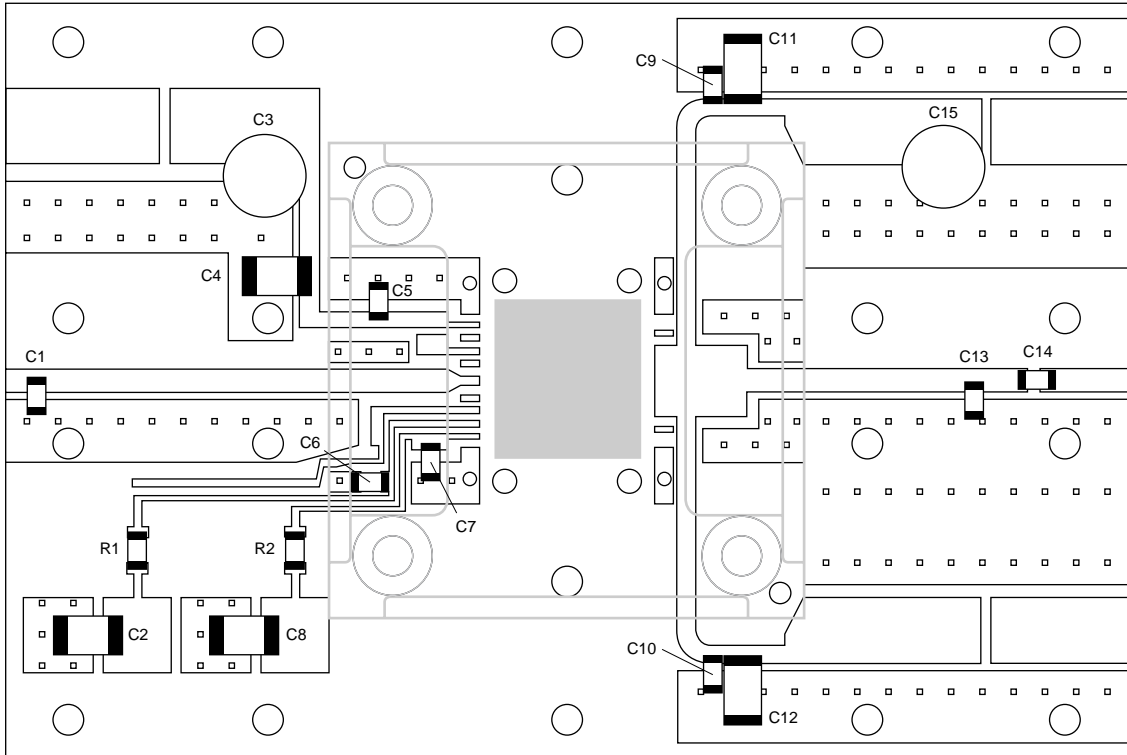
Fig 8. Two-tone CW intermodulation distortion as function of peak envelope load power; typical value



Test signal: IS-95 with pilot, paging, sync and 6 traffic channels (Walsh codes 8 to 13). PAR = 9.7 dB at 0.01 % probability on the CCDF.
 (1) $T_{case} = -30 \text{ }^\circ\text{C}$
 (2) $T_{case} = 25 \text{ }^\circ\text{C}$
 (3) $T_{case} = 85 \text{ }^\circ\text{C}$

Fig 9. Single-carrier peak output power as function of frequency and temperature; typical values

9. Test information



001aah629

Striplines are on a double copper-clad Rogers 4350B Printed-Circuit Board (PCB) with $\epsilon_r = 3.5$; thickness = 0.76 mm. See [Table 8](#) for a list of components.

Fig 10. Component layout for 2110 MHz to 2170 MHz circuit for 2-carrier W-CDMA

Table 8. List of components

For test circuit see [Figure 10](#).

Component	Description	Value	Remarks
C1, C13	multilayer ceramic chip capacitor	0.3 pF	[1]
C2, C4, C8, C11, C12	multilayer ceramic chip capacitor	4.7 μ F; 50 V	
C3, C15	electrolytic capacitor	220 μ F; 35 V	
C5, C9, C10, C14	multilayer ceramic chip capacitor	10 pF	[1]
C6, C7	multilayer ceramic chip capacitor	100 nF	
R1	SMD resistor 0805	1 k Ω	
R2	SMD resistor 0805	3.9 k Ω	

[1] American Technical Ceramics (ATC) type 100A or capacitor of same quality.

10. Package outline

HSOP16F: plastic, heatsink small outline package; 16 leads (flat)

SOT834-1

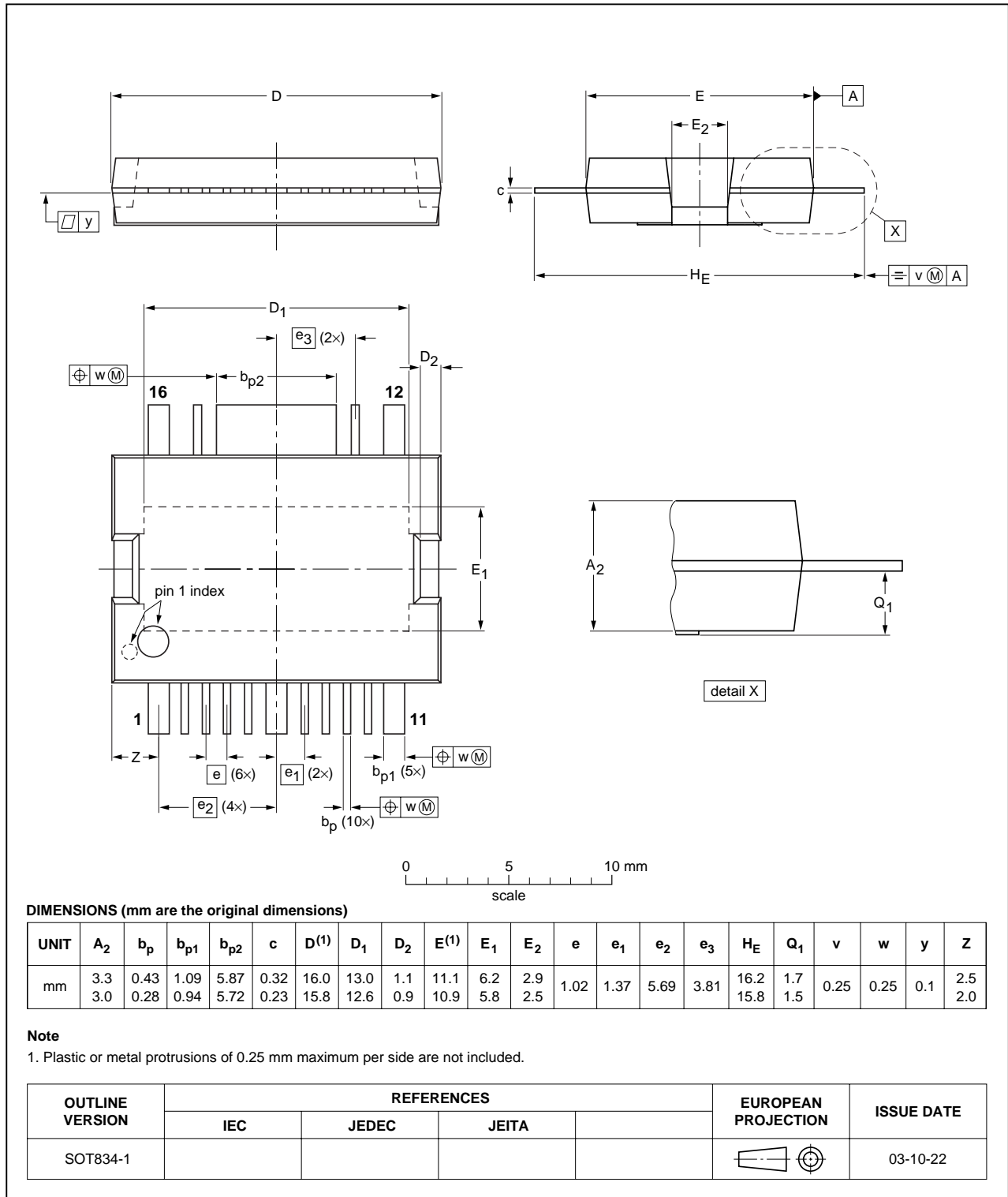


Fig 11. Package outline SOT834-1 (HSOP16F)

HSOP16: plastic, heatsink small outline package; 16 leads

SOT822-1

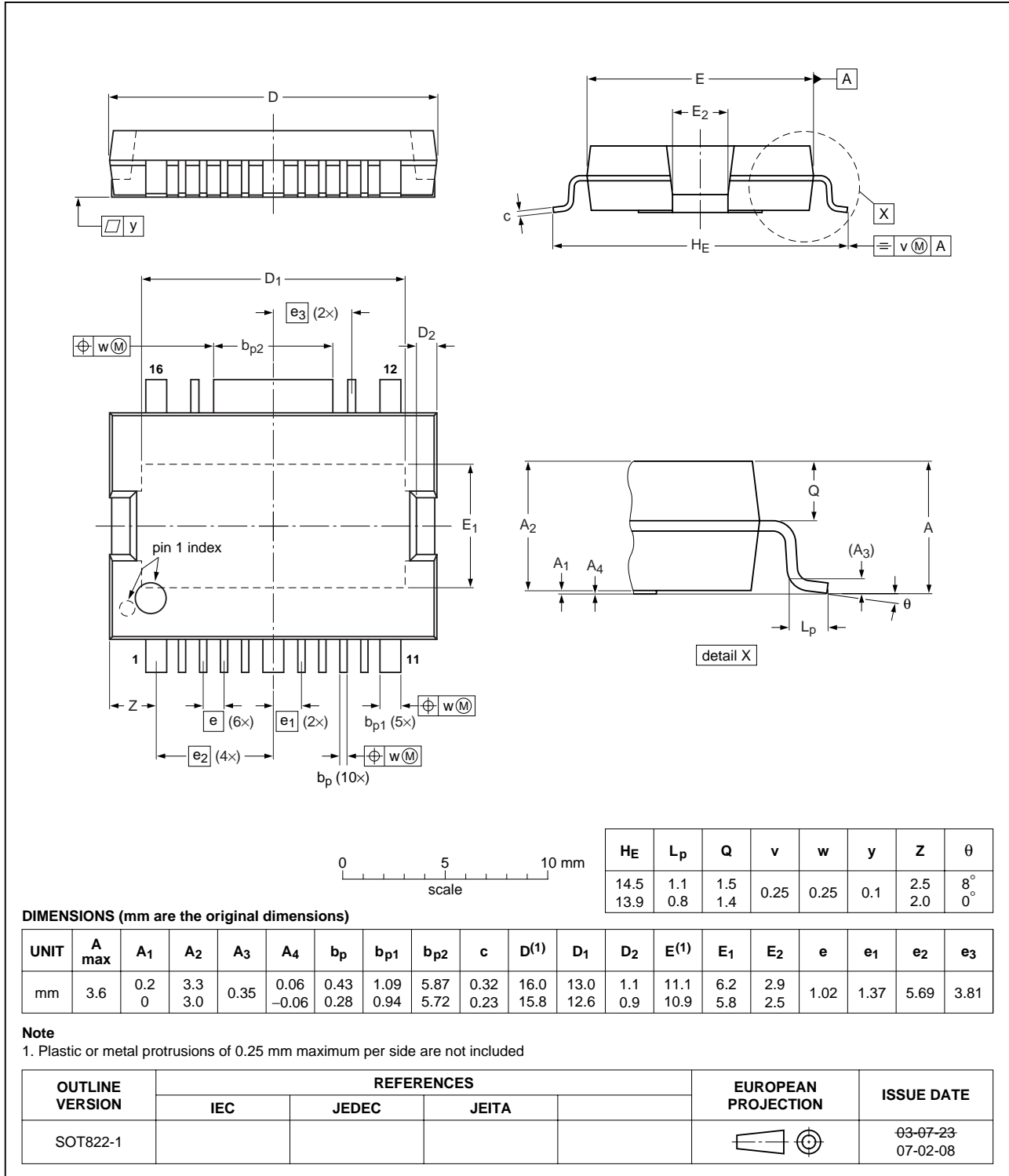


Fig 12. Package outline SOT822-1 (HSOP16)

11. Handling information

11.1 ESD protection

Table 9. ESD protection characteristics

Test condition	Class
Human Body Model (HBM)	1
Machine Model (MM)	1

11.2 Moisture sensitivity

Table 10. Moisture sensitivity level

Test methodology	Class
JESD-22-A113	3

12. Abbreviations

Table 11. Abbreviations

Acronym	Description
3GPP	Third Generation Partnership Project
CCDF	Complementary Cumulative Distribution Function
CW	Continuous Wave
DPCH	Dedicated Physical CHannel
IS-95	Interim Standard 95
LDMOS	Laterally Diffused Metal-Oxide Semiconductor
MMIC	Monolithic Microwave Integrated Circuit
PA	Power Amplifier
PAR	Peak-to-Average power Ratio
PDPCH	transmission Power of the Dedicated Physical CHannel
RF	Radio Frequency
VSWR	Voltage Standing-Wave Ratio
W-CDMA	Wideband Code Division Multiple Access

13. Revision history

Table 12. Revision history

Document ID	Release date	Data sheet status	Change notice	Supersedes
BLM6G22-30_BLM6G22-30G_3	20081121	Preliminary data sheet	-	BLM6G22-30_BLM6G22-30G_2
Modifications:	<ul style="list-style-type: none"> • Figure 5: updated 			
BLM6G22-30_BLM6G22-30G_2	20080904	Preliminary data sheet	-	BLM6G22-30_BLM6G22-30G_1
BLM6G22-30_BLM6G22-30G_1	20080303	Objective data sheet	-	-

14. Legal information

14.1 Data sheet status

Document status ^{[1][2]}	Product status ^[3]	Definition
Objective [short] data sheet	Development	This document contains data from the objective specification for product development.
Preliminary [short] data sheet	Qualification	This document contains data from the preliminary specification.
Product [short] data sheet	Production	This document contains the product specification.

[1] Please consult the most recently issued document before initiating or completing a design.

[2] The term 'short data sheet' is explained in section "Definitions".

[3] The product status of device(s) described in this document may have changed since this document was published and may differ in case of multiple devices. The latest product status information is available on the Internet at URL <http://www.nxp.com>.

14.2 Definitions

Draft — The document is a draft version only. The content is still under internal review and subject to formal approval, which may result in modifications or additions. NXP Semiconductors does not give any representations or warranties as to the accuracy or completeness of information included herein and shall have no liability for the consequences of use of such information.

Short data sheet — A short data sheet is an extract from a full data sheet with the same product type number(s) and title. A short data sheet is intended for quick reference only and should not be relied upon to contain detailed and full information. For detailed and full information see the relevant full data sheet, which is available on request via the local NXP Semiconductors sales office. In case of any inconsistency or conflict with the short data sheet, the full data sheet shall prevail.

14.3 Disclaimers

General — Information in this document is believed to be accurate and reliable. However, NXP Semiconductors does not give any representations or warranties, expressed or implied, as to the accuracy or completeness of such information and shall have no liability for the consequences of use of such information.

Right to make changes — NXP Semiconductors reserves the right to make changes to information published in this document, including without limitation specifications and product descriptions, at any time and without notice. This document supersedes and replaces all information supplied prior to the publication hereof.

Suitability for use — NXP Semiconductors products are not designed, authorized or warranted to be suitable for use in medical, military, aircraft, space or life support equipment, nor in applications where failure or

malfunction of an NXP Semiconductors product can reasonably be expected to result in personal injury, death or severe property or environmental damage. NXP Semiconductors accepts no liability for inclusion and/or use of NXP Semiconductors products in such equipment or applications and therefore such inclusion and/or use is at the customer's own risk.

Applications — Applications that are described herein for any of these products are for illustrative purposes only. NXP Semiconductors makes no representation or warranty that such applications will be suitable for the specified use without further testing or modification.

Limiting values — Stress above one or more limiting values (as defined in the Absolute Maximum Ratings System of IEC 60134) may cause permanent damage to the device. Limiting values are stress ratings only and operation of the device at these or any other conditions above those given in the Characteristics sections of this document is not implied. Exposure to limiting values for extended periods may affect device reliability.

Terms and conditions of sale — NXP Semiconductors products are sold subject to the general terms and conditions of commercial sale, as published at <http://www.nxp.com/profile/terms>, including those pertaining to warranty, intellectual property rights infringement and limitation of liability, unless explicitly otherwise agreed to in writing by NXP Semiconductors. In case of any inconsistency or conflict between information in this document and such terms and conditions, the latter will prevail.

No offer to sell or license — Nothing in this document may be interpreted or construed as an offer to sell products that is open for acceptance or the grant, conveyance or implication of any license under any copyrights, patents or other industrial or intellectual property rights.

14.4 Trademarks

Notice: All referenced brands, product names, service names and trademarks are the property of their respective owners.

15. Contact information

For more information, please visit: <http://www.nxp.com>

For sales office addresses, please send an email to: salesaddresses@nxp.com

16. Contents

1	Product profile	1
1.1	General description	1
1.2	Features	1
2	Pinning information	2
2.1	Pinning	2
2.2	Pin description	2
3	Ordering information	2
4	Block diagram	3
5	Limiting values	3
6	Thermal characteristics	3
7	Characteristics	4
8	Application information	4
8.1	Ruggedness	4
8.2	Impedance information	4
8.3	Performance curves	5
9	Test information	7
10	Package outline	8
11	Handling information	10
11.1	ESD protection	10
11.2	Moisture sensitivity	10
12	Abbreviations	10
13	Revision history	10
14	Legal information	11
14.1	Data sheet status	11
14.2	Definitions	11
14.3	Disclaimers	11
14.4	Trademarks	11
15	Contact information	11
16	Contents	12

Please be aware that important notices concerning this document and the product(s) described herein, have been included in section 'Legal information'.

founded by

PHILIPS

© NXP B.V. 2008.

All rights reserved.

For more information, please visit: <http://www.nxp.com>

For sales office addresses, please send an email to: salesaddresses@nxp.com

Date of release: 21 November 2008

Document identifier: BLM6G22-30_BLM6G22-30G_3